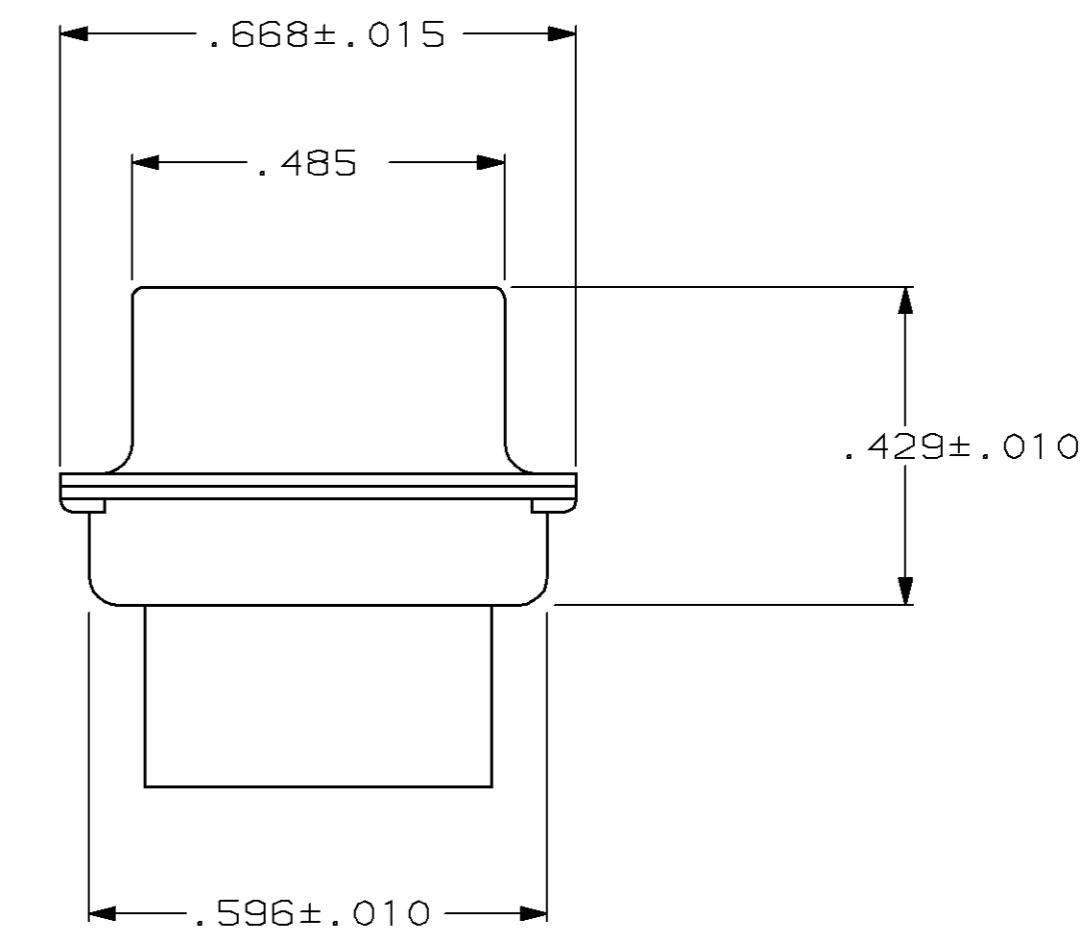
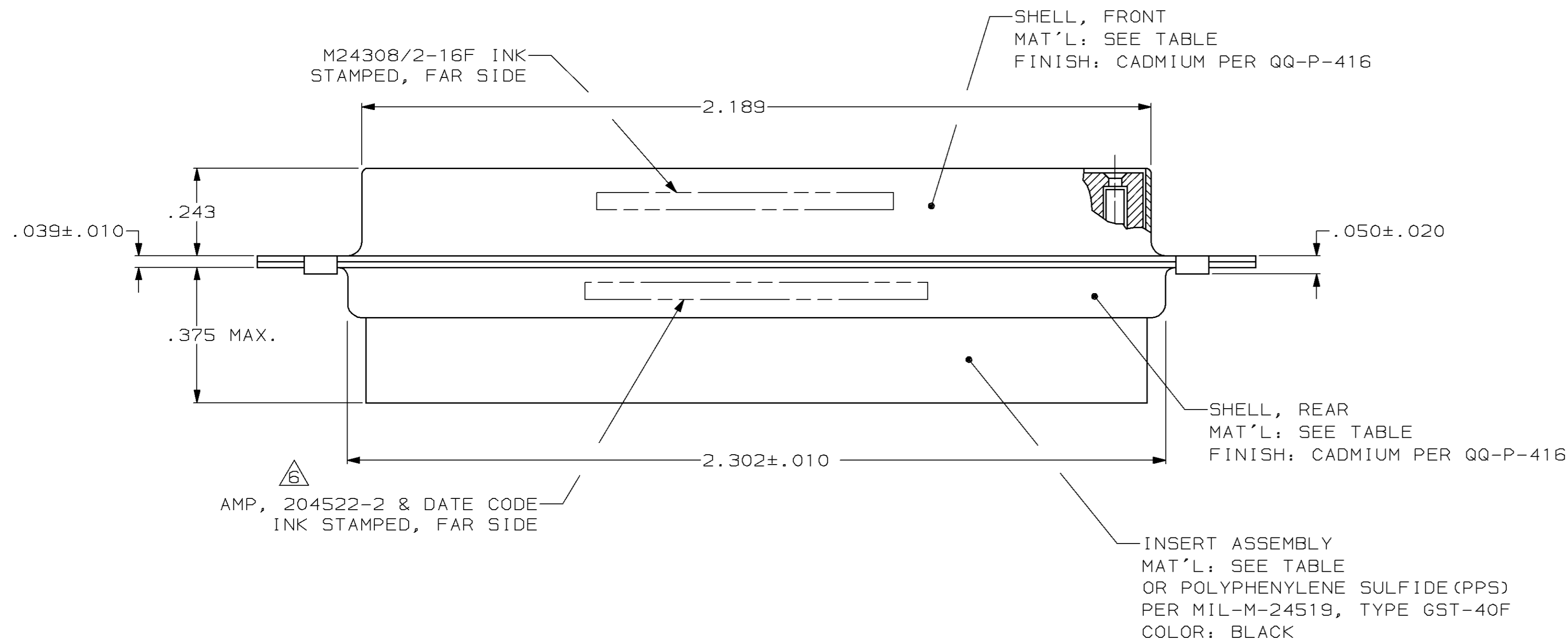
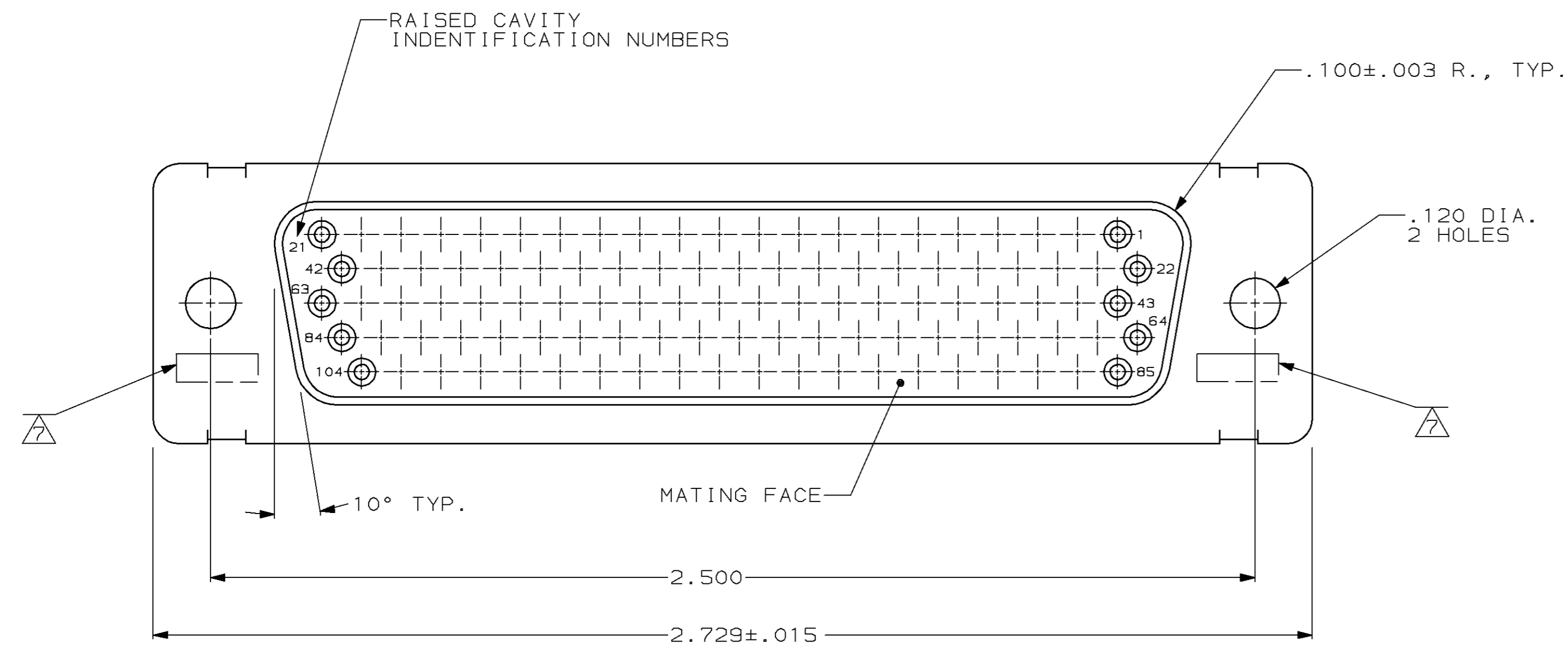


PROD 5066 CODE	LOC DF	DIST D0	P	F	ZONE	LTR	REVISIONS			
							DESCRIPTION	DATE	APPD	
							P	REV PER 0600-6687-97 JY	8-19-98	JN



- THIS RCPT. IS DESIGNED TO CONFORM TO THE LATEST ISSUE OF MIL-C-24308
 - MAX WIRE INSUL TO BE USED WITH THIS RCPT IS .054 DIA
 - METAL RETENTION CLIPS ARE INCLUDED IN INSERTS
 - PACKAGE STAMPED M 24308/2-291F
 - THIS RCPT. WILL ACCEPT SIZE 22 SOCKET CONTACT M 39029/57-354 OR ANY AMP HDD-22 SOCKET CONTACT
- AMP PART NO. STAMPED ON CONNECTOR REPRESENTS KIT NUMBER WITH CONTACTS
 UL/CSA DESIGNATION STAMPED IN THIS AREA, OPTIONAL

SUPSD BY 204510-1	STEEL, CLASS G	PHENOLIC COLOR: BLACK	204510-3
SUPSD BY 206065-4	BRASS	DIALYL PATHALATE COLOR: BLUE	204510-2
	STEEL, CLASS G	DIALYL PATHALATE COLOR: BLUE	204510-1
	SHELL MAT'L	INSERT MAT'L	PART NO

DO NOT SCALE PRINT. UNLESS SPECIFIED DIMENSIONS IN INCHES TOLERANCES ON: 2 PLC DEC ± - 3 PLC DEC ± .005 ANGLES ± 0°30'	DR 12-2-87 C.C. THOMAS	AMP INCORPORATED Harrisburg, Pa. 17105	
	CHK 1-25-88 F.C. BALLEW III		
SEE TABLE	APPD 1-25-88 F.C. BALLEW III	AMPLITE RCPT. FOR SOCKET CONTACTS HI-DENSITY "D" CONNECTOR SIZE 6 (104 POSN) SERIES 90	
FINISH SEE CALLOUTS	APPD 1-26-88 D.J.M.	SIZE D	FSCM NO 00779
	PRODUCT SPEC -	DRAWING NO 204510	SHEET 1 OF 1
	APPLICATION SPEC -	SCALE 4:1	
	WEIGHT -		